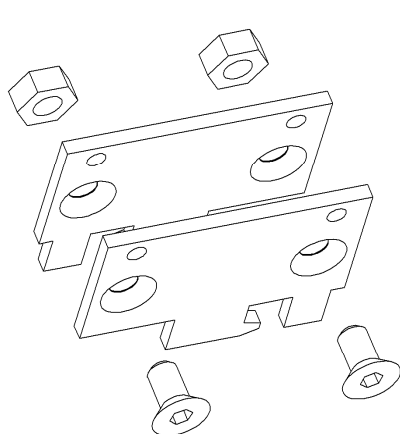
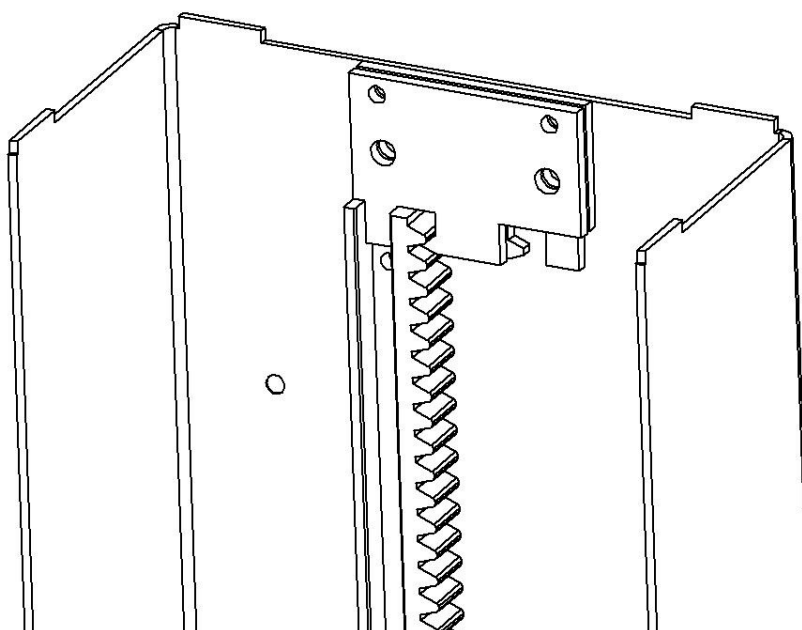


Mounting of height expander.

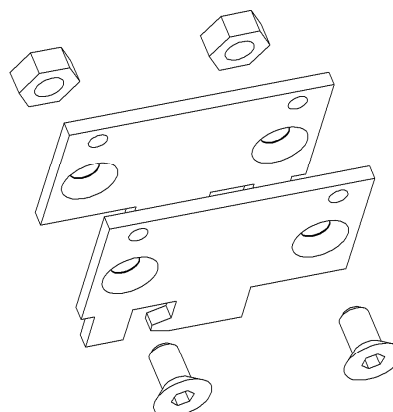
The picture show the top of a column where the tabletop support have been suppressed.

The height expander is mounted the following way;

1. M4x8 screw fixing the tooth rack is removed
2. Tooth rack is pushed down for gaining space for the expander
3. Height expander is mounted (screws is supplied with the expander)



Right leg extender bracket



Left leg extender bracket