

**Product data sheet:
Electric height adjustable desk frame 501-25**



Table of contents

Packing details3

Main measures and specifications4

Tabletop drillings5

Assembly and use6

Safety and tests7

Component specifications.....8

Packing details

501-25 - box measures

Box of legs

501-25 XXXXX | WxDxH | 710 x 160 x 690 [mm] | 27-15/16" x 6-5/16" x 27-3/16" [inch]

Box of cross bars

Part	LxWxH [mm]	LxWxH [inch]
501-2X XX084	790 x 185 x 100	31-1/8" x 7-5/16" x 3-15/16"
501-2X XX129	1240 x 185 x 100	48-13/16" x 7-5/16" x 3-15/16"
501-2X XX133	1280 x 185 x 100	50-3/8" x 7-5/16" x 3-15/16"
501-2X XX144	1390 x 185 x 100	54-3/4" x 7-5/16" x 3-15/16"
501-2X XX152	1470 x 185 x 100	57-7/8" x 7-5/16" x 3-15/16"
501-2X XX172	1670 x 185 x 100	65-3/4" x 7-5/16" x 3-15/16"

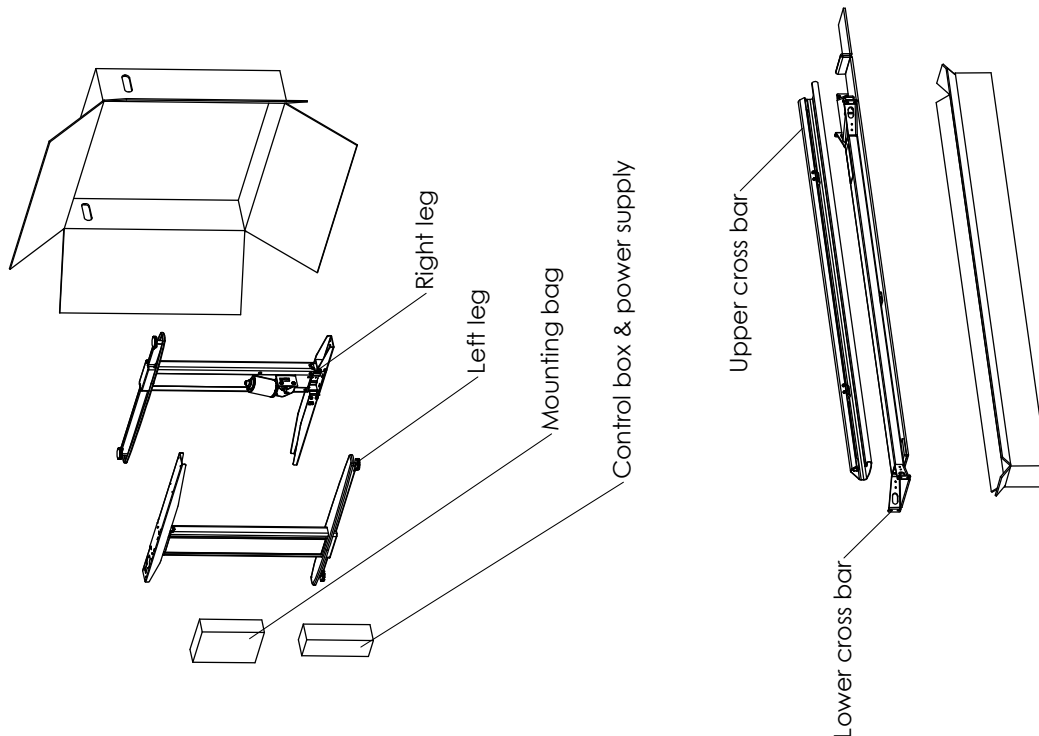
501-25 - box weights

Box of legs

501-25 XXXXX | 20 [kg] | 44 [lbs]

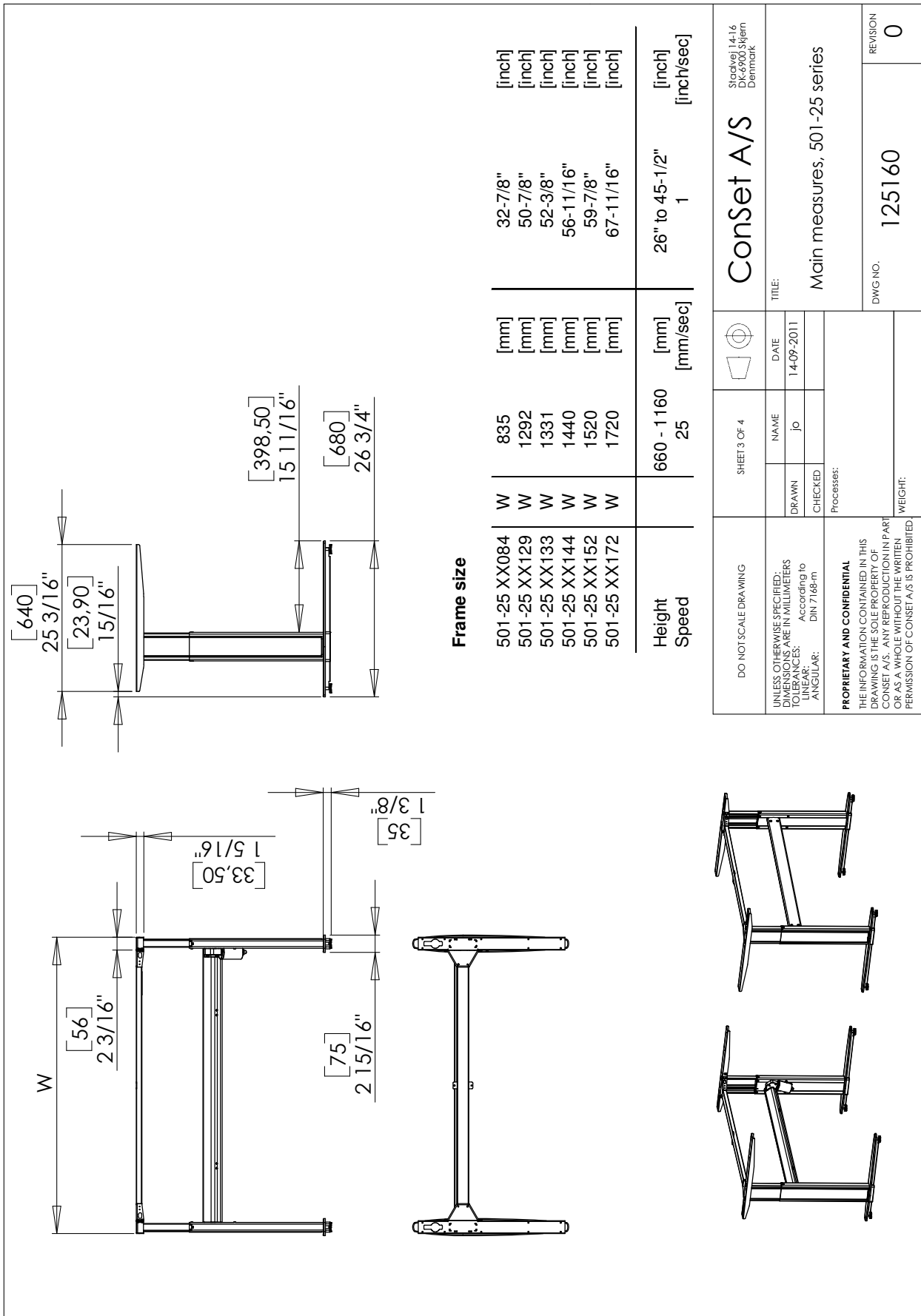
Box of cross bars

Part	Weight [kg]	Weight [lbs]
501-2X XX084	4	9
501-2X XX129	5	11
501-2X XX133	6	13
501-2X XX144	6,5	14
501-2X XX152	7	15
501-2X XX172	8	17



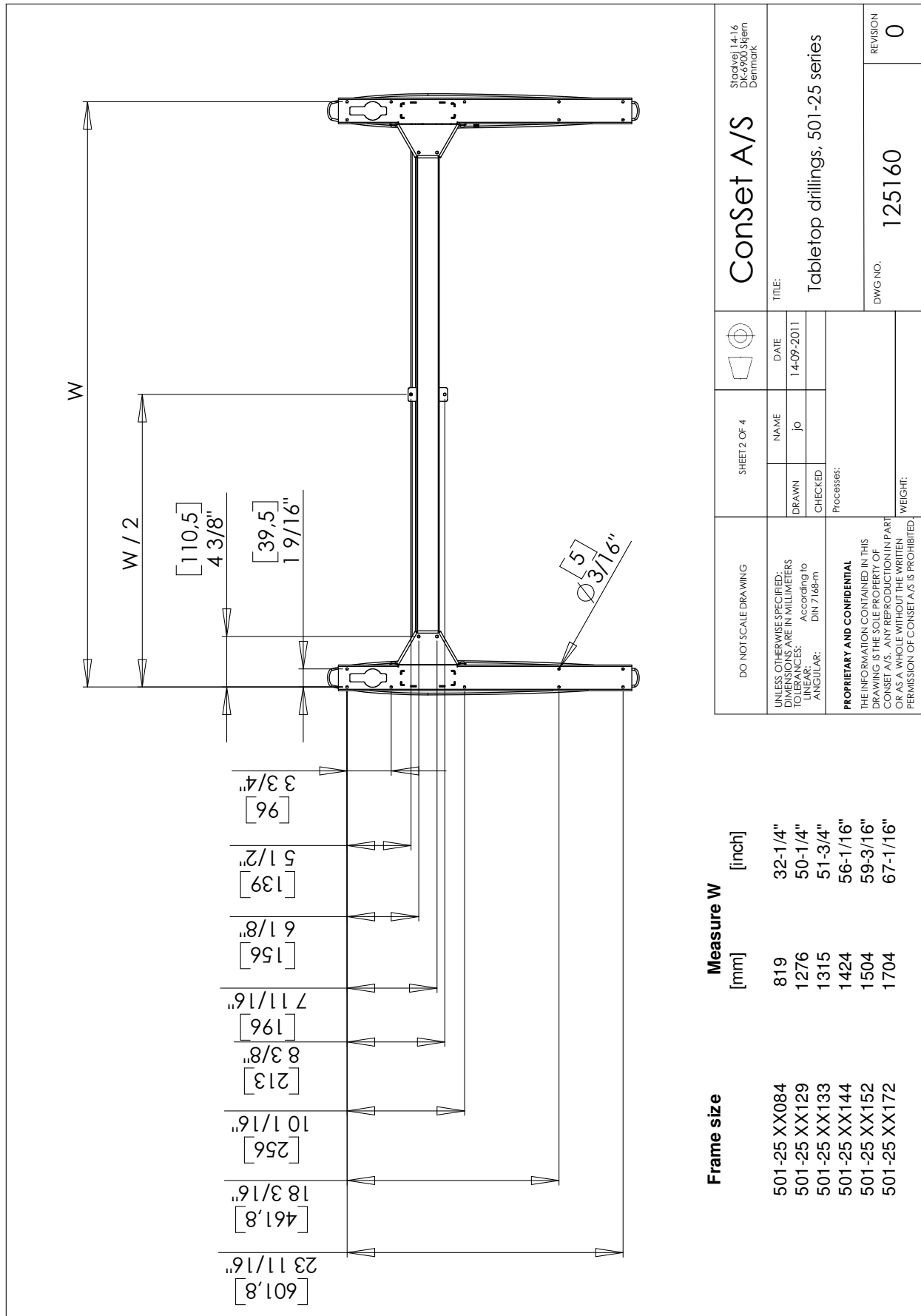
DO NOT SCALE DRAWING	SHEET 4 OF 4			ConSet A/S		Staalvej 14-16 DK-6900 Skjern Denmark
	DRAWN	NAME		DATE	TITLE:	
UNLESS OTHERWISE SPECIFIED: DIMENSIONS ARE IN MILLIMETERS (UNLESS OTHERWISE SPECIFIED). ANGULAR: According to DIN 7168-m	CHECKED	jo	03-02-2011	Box components, 501-25 Series		
PROPRIETARY AND CONFIDENTIAL THE INFORMATION CONTAINED IN THIS DRAWING IS THE SOLE PROPERTY OF CONSET A/S. ANY REPRODUCTION IN PART OR AS A WHOLE WITHOUT THE WRITTEN PERMISSION OF CONSET A/S IS PROHIBITED.				DWG NO. 125160		REVISION 0

Main measures and specifications



DO NOT SCALE DRAWING		SHEET 3 OF 4		ConSet A/S	
UNLESS OTHERWISE SPECIFIED: DIMENSIONS ARE IN MILLIMETERS TOLERANCES: According to LINEAR: DIN 7168-m ANGULAR:		DRAWN	jo	DATE	14-09-2011
PROPRIETARY AND CONFIDENTIAL THE INFORMATION CONTAINED IN THIS DRAWING IS THE SOLE PROPERTY OF CONSET AND IS NOT TO BE REPRODUCED OR COPIED IN ANY MANNER WITHOUT THE WRITTEN PERMISSION OF CONSET A/S. IS PROHIBITED.		CHECKED		TITLE:	Main measures, 501-25 series
		Processes:		DWG NO.	125160
		WEIGHT:		REVISION	0

Tabletop drillings



Assembly and use

Along with all products a "Direction for assembly and use" is delivered. In this you will find a detailed description of the way of assembly.



After the frame has been mounted the chosen tabletop is mounted and the operation unit will be possible to fix at the bottom side of the table top. This operation unit has a push switch and a rocker switch.

With push switch A and rocker switch B it is possible to move the tabletop up and down and can be stopped at all levels. For safety reasons it is necessary to push both buttons at the same time for moving the table up and down.



Safety and tests

All ConSet sit and stand desk frames meet the necessary requirements within the following relevant categories:

- EN 527-1: Office furniture – Workplaces and desks – Part 1:
Dimensions
- EN 527-2: Office furniture – Workplaces and desks – Part 2:
Mechanical safety requirements
- EN 527-3: Office furniture – Workplaces and desks – Part 3:
Methods of test for the determination of the stability and the mechanical strength of the structure.

Declaration of conformity

We hereby declare, under our sole responsibility that the following product:

- ConSet sit and stand table product type **501-25**

is in accordance with:

- Directive 2006/42/EF of The European Parliament and of the Council of 17 May 2006 on machinery and on changes of directive 95/16/EF

With reference to the above please be aware that:

- the sit and stand table is considered a machine and
- the sit and stand table may not be used until it has been assembled and installed according to the instructions.

Component specifications

Metal sheet parts:	St 37-2
Gear parts:	St 70-2
Gear motor:	CS no. 107630
Power supply:	80 W AC Power Transformer Input 100-240 VAC ~ 50/60Hz Consumption: 80 Watts; Standby: Less than 1 Watt
Plastic components:	PA6, POM, PE-HD
Surface treatment:	Visible metal parts powder coated in "alu" colour, RAL9006 and black, RAL9004. Non visible metal parts are surface treated (e.g. plated)